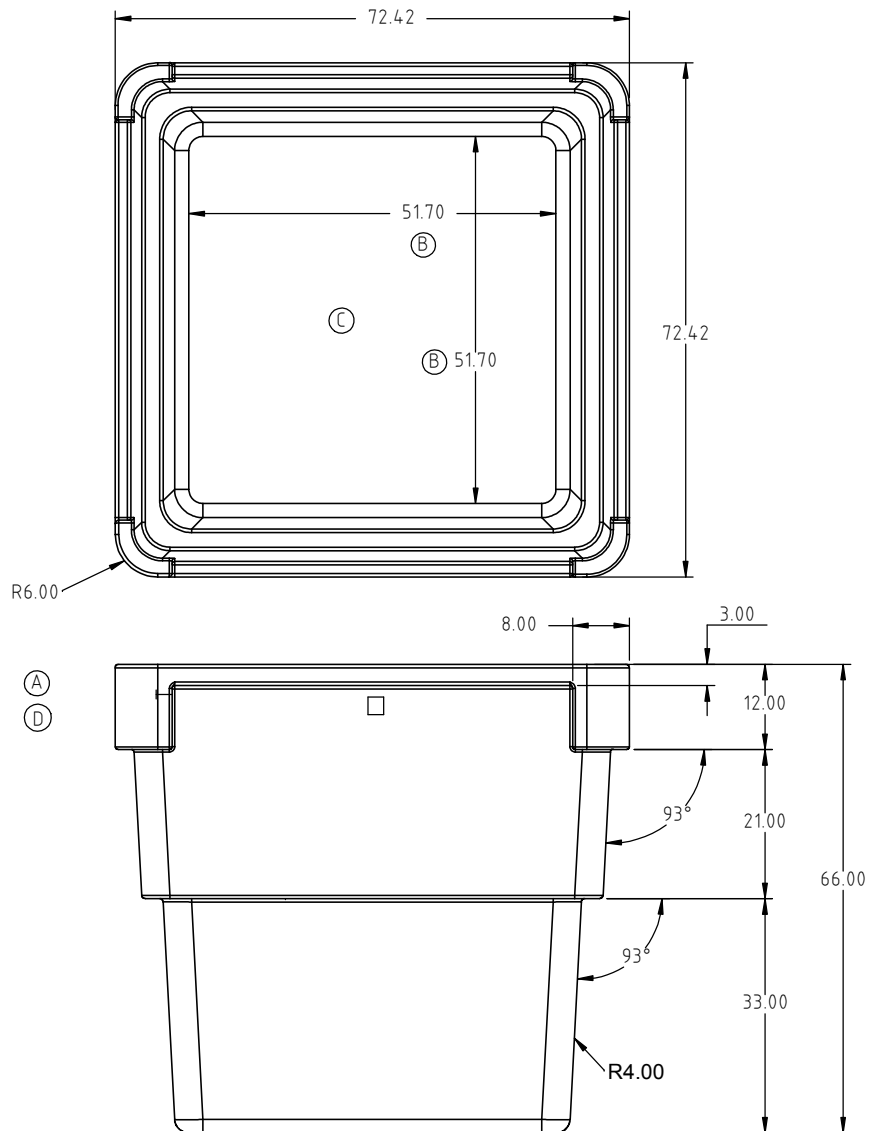


Copyright. All information furnished within this document, electronic file or design correspondence is the property of Den Hartog industries, Inc. and shall not be used, disclosed to others or copied without the expressed written consent of Den Hartog Industries, Inc.



STACK 5 HIGH UPSIDE DOWN FOR STORAGE

D	REMOVED CORNER HOLES	REH 3/8/11	2185
C	RAISED CIRCULAR CENTER REMOVED	ADH 12/29/10	2144
B	INSIDE BASE DIMENSIONS ADDED	ADH 8/3/09	1902
A	ADDED CORNER HOLES	REH 1/5/09	1775
REV	DESCRIPTION	BY / DATE	CCN

DRAWN / DATE	MATERIAL
ADH 6/25/08	10538 POWDER.
APPRD. / DATE	
REH 7/1/08	



Den Hartog
INDUSTRIES, INC.

Acro Roto-Mold Injection Molding Blow Molding Sowjey

4010 HOSPERS DRIVE S. BOX 425, HOSPERS, IOWA 51238-0421

SHOT WEIGHT:	288 LB.
SHIPPING WEIGHT:	276 LB.
FINISH:	BEAD BLAST

DESCRIPTION	825 GALLON CONTAINMENT TANK	
SCALE	N.S.	PART NO. OP0825-RT

ALL DIMENSIONS ARE IN DECIMAL INCHES TOLERANCES UNLESS OTHERWISE SPECIFIED	
POLYETHYLENE	METAL DECIMAL ± .125" FRACTION ± 1/4" ANGLE ± 1°
±1% @ 68°F	

