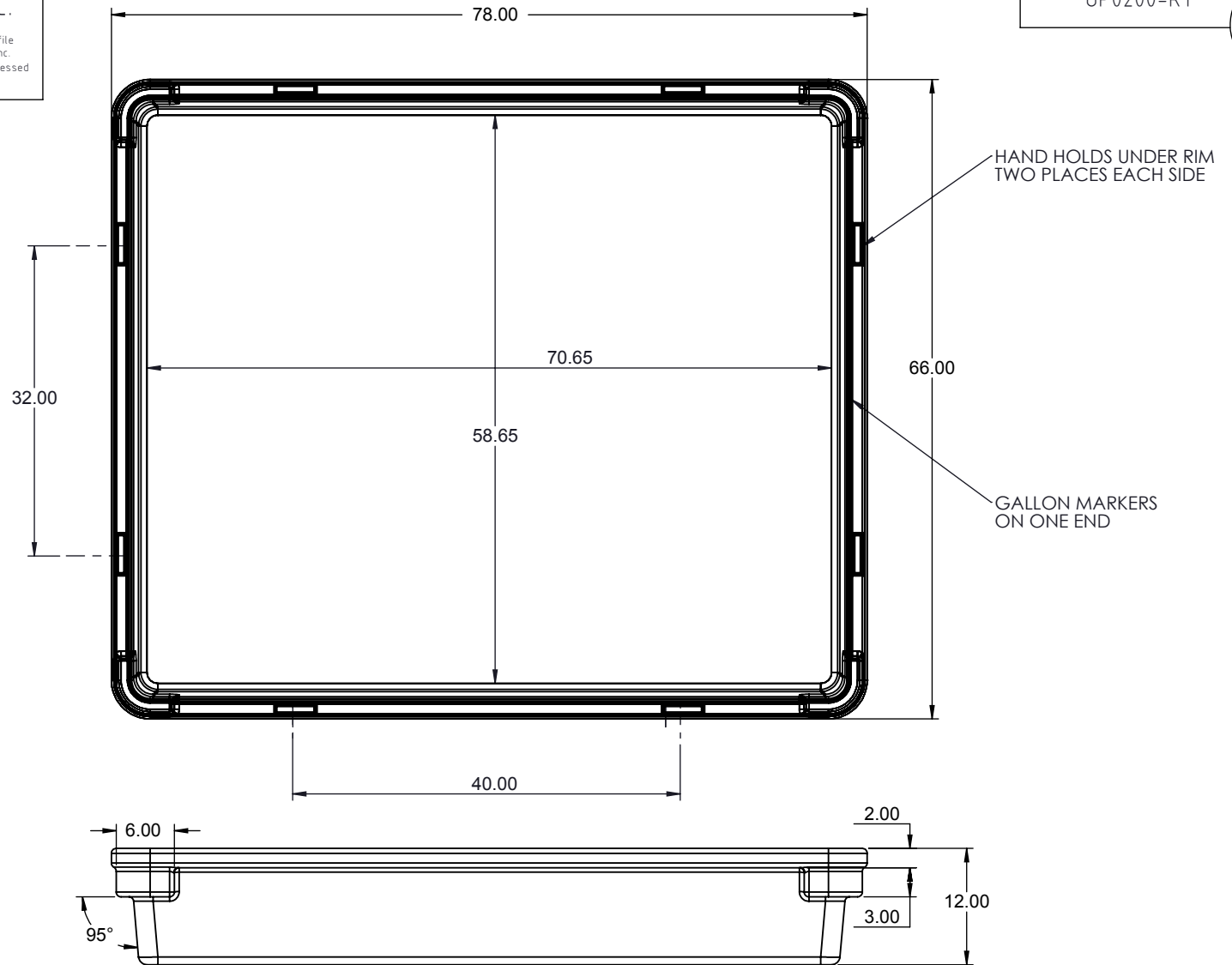


© DEN HARTOG INDUSTRIES, INC.

Copyright. All information furnished within this document, electronic file or design correspondence is the property of Den Hartog industries, Inc. and shall not be used, disclosed to others or copied without the expressed written consent of Den Hartog Industries, Inc.

OP0200-RT



				DRAWN / DATE ADH 5/22/09	MATERIAL 10538 2 MELT RESIN
				APPRD. / DATE REH 5/26/09	
REV	DESCRIPTION	BY / DATE	CCN	SHOT WEIGHT: 85 LB.	NOTES: 1.) .25 NOMINAL WALL 2.) NATURAL COLOR
	ALL DIMENSIONS ARE IN DECIMAL INCHES TOLERANCES UNLESS OTHERWISE SPECIFIED	THIRD ANGLE PROJECTION ANSI 14.5M		SHIPPING WEIGHT: 78 LB.	
	POLYETHYLENE			FINISH:	
	±1% @ 68° F		METAL DECIMAL ± .125" FRACTION ± 1/4" ANGLE ± 1°		



**Den Hartog**  
INDUSTRIES, INC.

Ace Roto-Mold Injection Molding Blow Molding Sowjoy

4010 HOSPERS DRIVE S. BOX 425, HOSPERS, IOWA 51238-0425

DESCRIPTION	200 GALLON CONTAINMENT TANK	
SCALE	N.S.	PART NO. OP0200-RT